

# T-RING

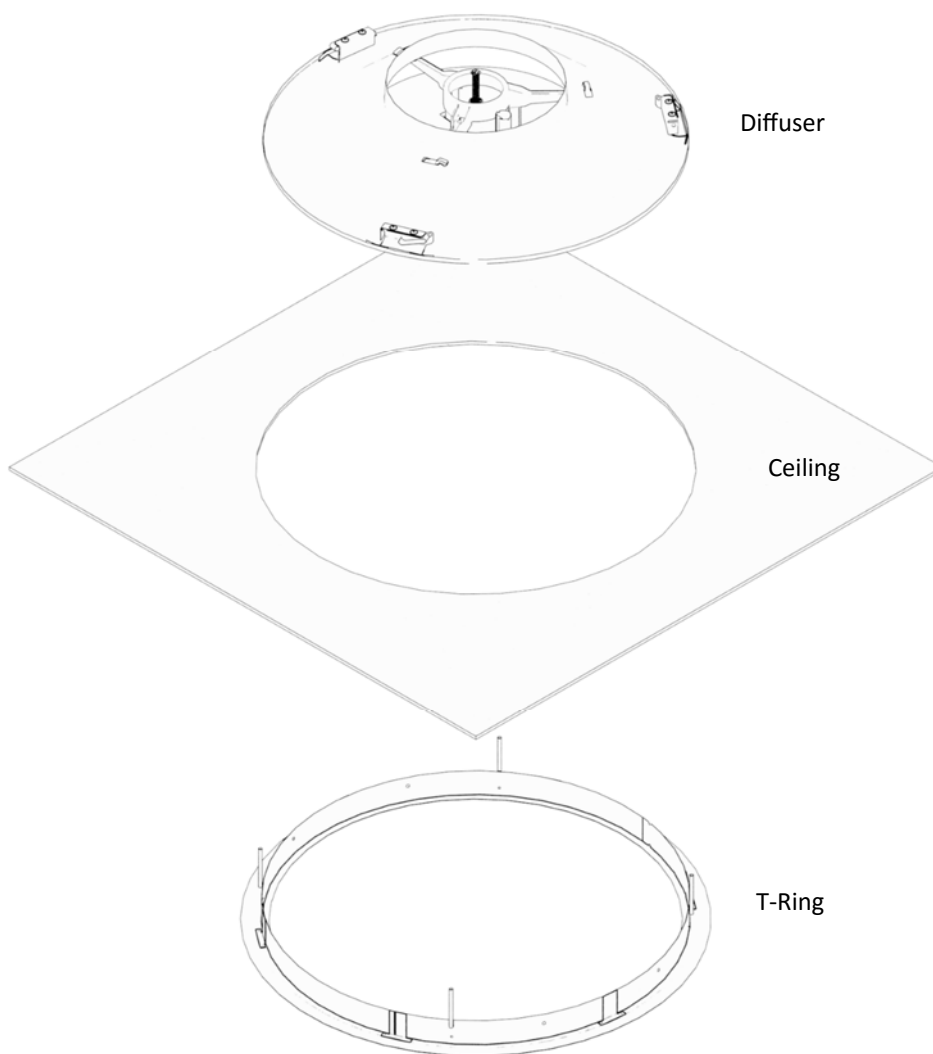
## INSTALLATION MANUAL

## Introduction

The Rickard T-Ring is designed to make the fitment of Rickard Ceiling Diffusers and RVD's to plastered ceilings simple and neat. The T-Rings formed flange ensures it remains flat and looks great once installed.

## Installation Procedure

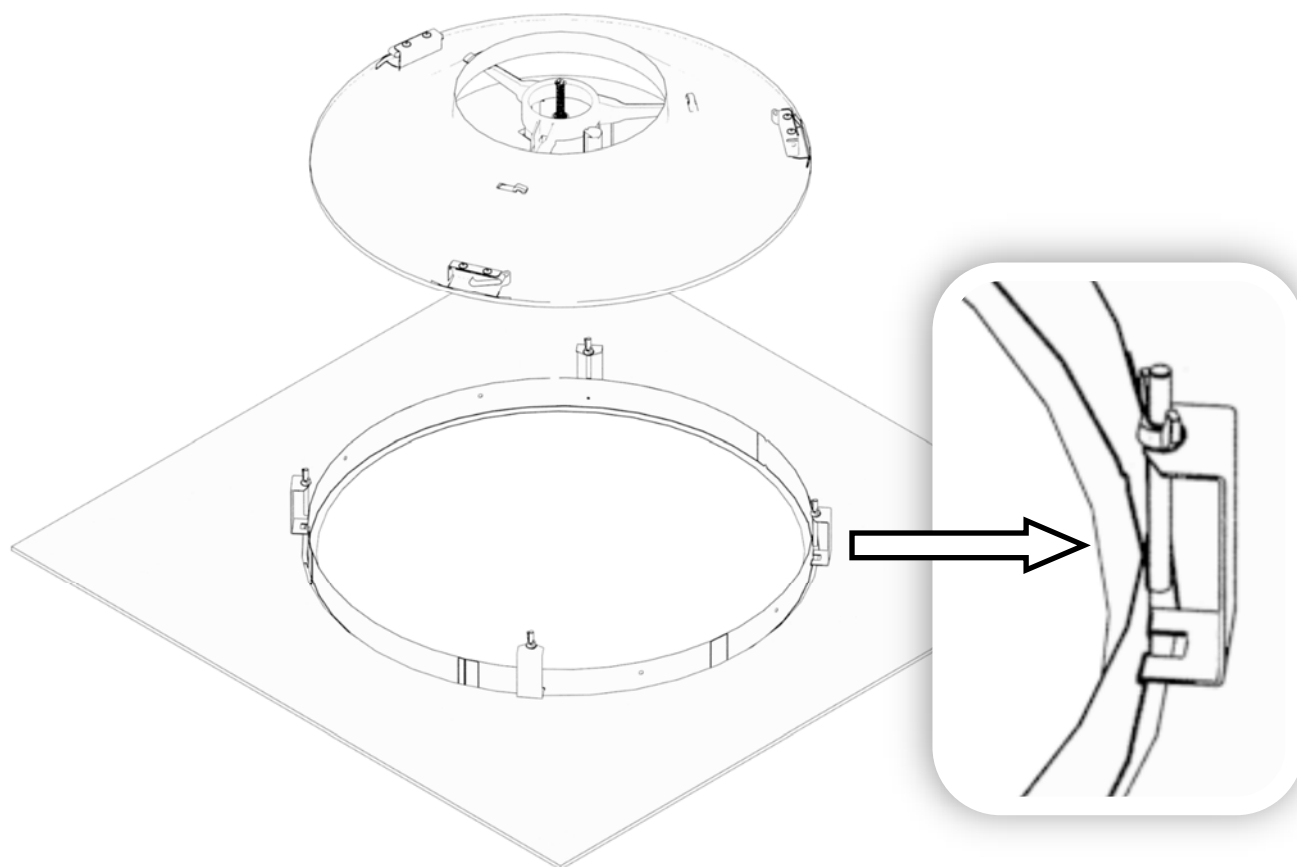
Cut the hole in the ceiling as shown (see table for sizes), use the hole to pass the diffuser into the ceiling void. Prepare to fit the T-Ring from below the ceiling.



Definition	RVD 315	RVD 400	RVD 630	CRD/VRD 350	CRD/VRD/VRW
Diameter of diffuser	440	560	880	350	580
Inside diameter of T-Ring	445	565	885	355	585
Hole size required in ceiling	460	580	900	370	600

**Installation continued**

Position the T-Ring in the hole made. Use the supplied brackets and wingnuts to secure the T-Ring to the plastered ceiling in 4 places as shown.



Secure the flexible duct to the diffuser and drop the diffuser into place as shown.

