

**OPTIONS**

The Rickard Linear Diffuser Range supports the following diffusion unit styles.

**EXPOSED TEE CEILING GRID**

**1. DROP-IN MOUNTING**

The Drop-in linear diffuser is designed to lay-in a standard ceiling grid. The linear track has a flange along its length to hide the ceiling boards edge from below. The Drop-in linear diffuser has flat ends to fit neatly inside the tees. Rickard recommends additional support to give the diffuser additional stability and support. Attach wire or threaded rod between the ceiling and the support holes provided in the top of the diffusers plenum. Linear diffusers of 595 and 1195mm are available to fit 600 and 1200mm ceiling grids respectively.

**2. MAINTENANCE OF ELECTRONIC DROP-IN LINEAR DIFFUSERS**

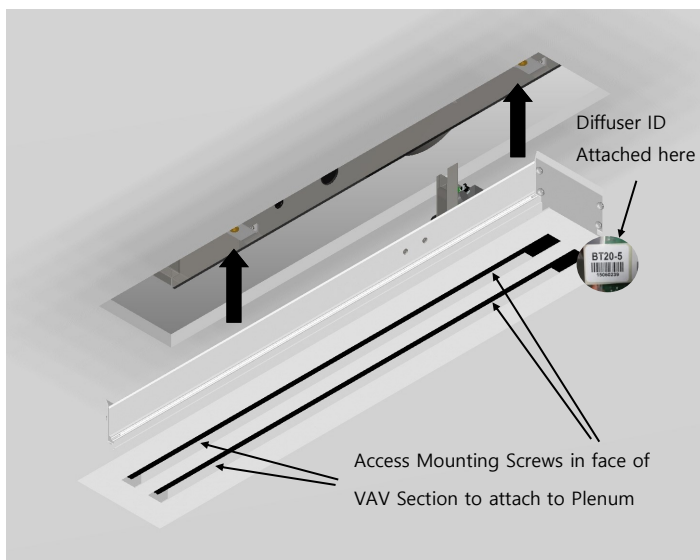
The diffusers controls and actuator are easily accessible from inside the ceiling. All the controls, namely the Interface box and the diffuser controllers are mounted outside the plenum. The Interface box allows diffuser to diffuser connections and the diffuser and onboard controller are mounted together in a clear plastic box to allow easy access. The diffusers actuator is accessible through an access panel on the side of the plenum.

**PLASTERED CEILING**

**1. SURFACE MOUNTING**

**a. Individual Surface Mounting**

The Surface mount linear diffuser is designed to fit a plastered ceiling from below. The linear track has a flange along its length and end to hide the rough cut edges of plastered ceiling.

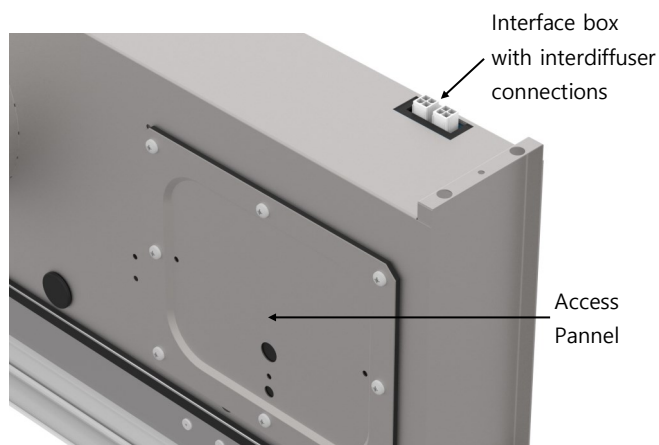
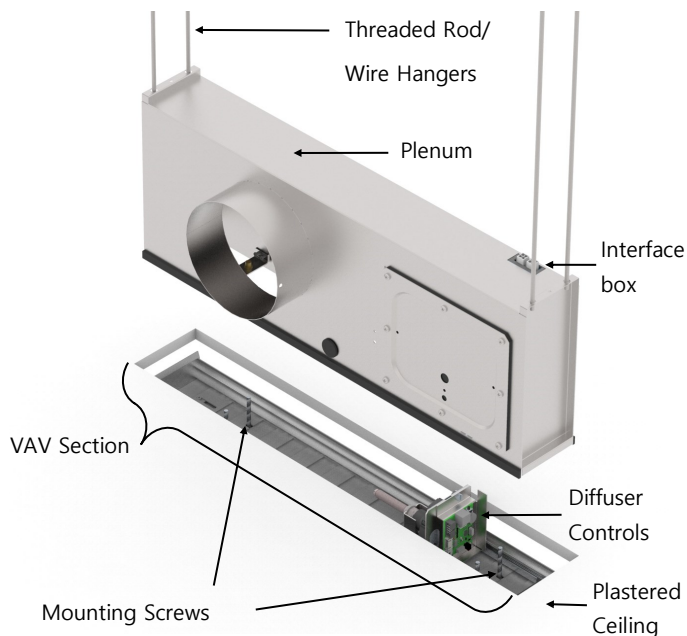


**b. Butt-joined Surface Mounting**

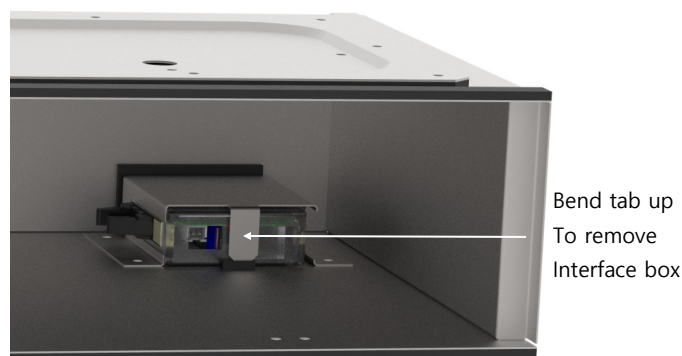
Surface mount linear diffusers can be joined together with other VAV linear diffusers, CAV linear diffuser or inactive track to provide long lengths of uninterrupted linear track. VAV linear diffusers, CAV linear diffuser or inactive track that are to be butt joined should be ordered without angle end borders (the flange on the end of the track). Sey-lock pins will be provided with every diffuser to join the tracks together. Special VAV, CAV or inactive track lengths are available on request.

**2. MAINTENANCE OF ELECTRONIC SURFACE MOUNT LINEAR DIFFUSERS**

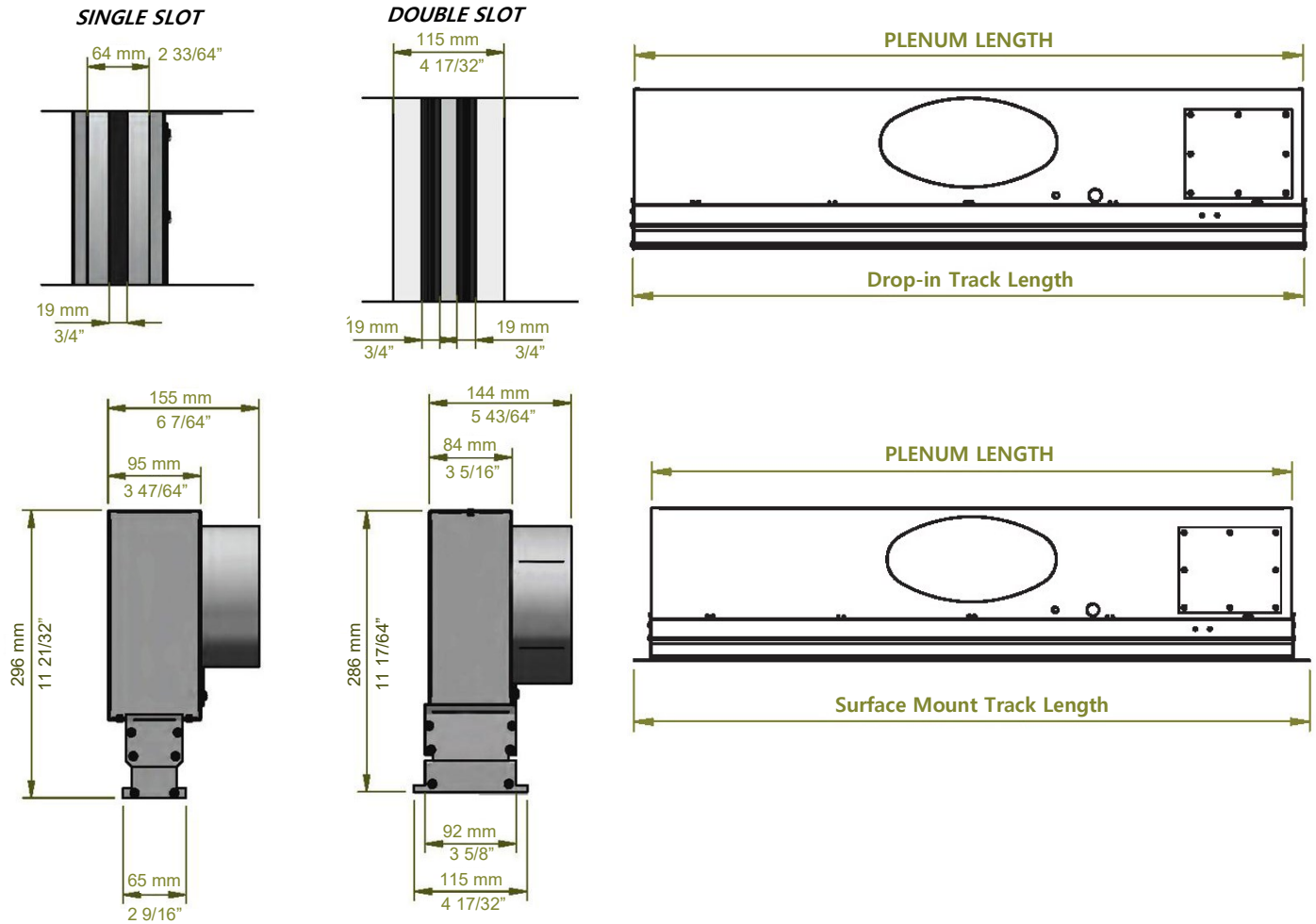
The diffusers controls and actuator are easily accessible from below the ceiling. The Interface box that allows diffuser to diffuser connections is mounted inside the diffuser plenum with inter-diffuser connections accessible from the outside. The diffuser controller, onboard controller and actuator are mounted on the active section of the diffuser. The active section is removable from below the ceiling. Mounting screws, accessible from the track face connect the active section to the diffuser plenum. Once the active section is unscrewed from the plenum, the entire active section can be removed from the ceiling by unplugging the ribbon cable that connect the Interface and diffuser controller. The diffuser and onboard controller are mounted together in a clear plastic box to allow easy access.



**View of Interface Box Inside Plenum**



**VLN1 GENERAL DIMENSIONS**



VLN1 GENERAL DIMENSIONS - for Metric Markets (mm)								
Nominal Length	Plenum Length	Track Length Single/Double Slot Butt-Join Mounting	Track Length Single/Double Slot Drop-In Mounting (T-Bar Ceiling)	T-Bar Ceiling Centres	Track Length Single Slot Surface Mounting (Plastered Ceiling)	Track Length Double Slot Surface Mounting (Plastered Ceiling)	Ceiling Cut-Out Length Single/Double Slot Surface Mounting (Plastered Ceiling)	Spigot Size $\varnothing$
600	590	590	595	600	636	656	600	150
900	890	890	895	900	936	956	900	200
1200	1190	1190	1195	1200	1236	1256	1200	250
1500	1490	1490	1495	1500	1536	1556	1500	300

VLN1 GENERAL DIMENSIONS - for US Customary Markets (inches)								
Nominal Length	Plenum Length	Track Length Single/Double Slot Butt-Join Mounting	Track Length Single/Double Slot Drop-In Mounting (T-Bar Ceiling)	T-Bar Ceiling Centres	Track Length Single Slot Surface Mounting (Plastered Ceiling)	Track Length Double Slot Surface Mounting (Plastered Ceiling)	Ceiling Cut-Out Length Single/Double Slot Surface Mounting (Plastered Ceiling)	Spigot Size $\varnothing$
24	23 15/64	23 15/64	23 3/4	24	25 53/64	25 3/64	24	6
36	35 3/64	35 3/64	35 3/4	36	37 41/64	37 41/64	36	8
48	46 27/32	46 27/32	47 3/4	48	49 29/64	49 29/64	48	10
60	58 21/32	58 21/32	59 3/4	60	61 17/64	61 17/64	60	12