

OPTIONS

The Rickard Linear Diffuser Range supports the following mounting options.

EXPOSED TEE CEILING GRID

1. DROP-IN MOUNTING

The Drop-in linear diffuser is designed to lay-in a standard ceiling grid. The linear track has a flange along its length to hide the ceiling boards edge from below. The Drop-in linear diffuser has flat ends to fit neatly inside the tees. Rickard recommends additional support to give the diffuser additional stability and support. Attach wire hangers or threaded rod between the ceiling and the 8mm support holes provided in the top of the diffusers plenum. Linear diffusers of 595 and 1195mm are available to fit 600 and 1200mm ceiling grids respectively. Linear diffusers of 895 and 1495mm are also available.

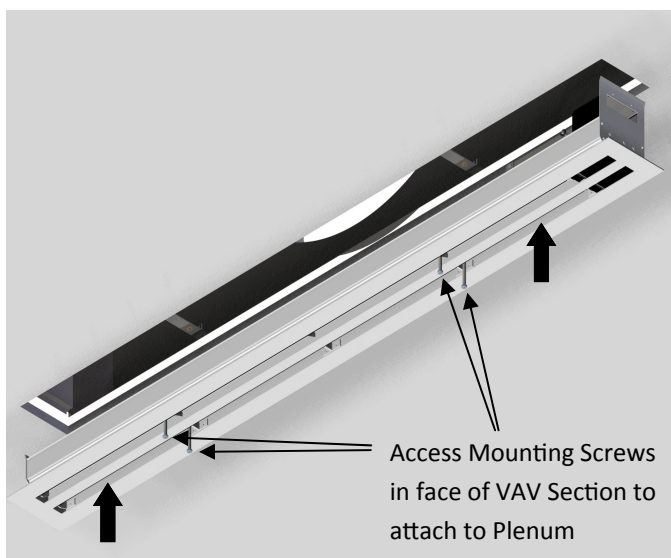
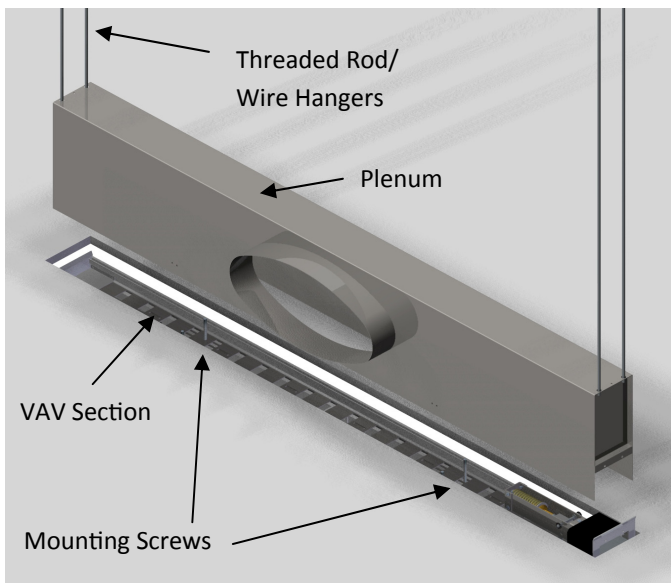
2. MAINTENANCE OF THERMAL DROP-IN LINEAR DIFFUSERS

No maintenance is required.

PLASTERED CEILING

1. SURFACE MOUNTING

Surface mount VLN4/5's are mounted by separating the plenum and the variable air volume (VAV) section. The plenum is installed before the ceiling is installed and the VAV section is attached once the ceiling and its hole is in place. The two parts are screwed together as shown below.



a. Individual Surface Mounting

The Surface mount linear diffuser is designed to fit a plastered ceiling from below. The linear track has a flange along its length and end to hide the rough cut edges of a plastered ceiling.

b. Butt-joined Surface Mounting

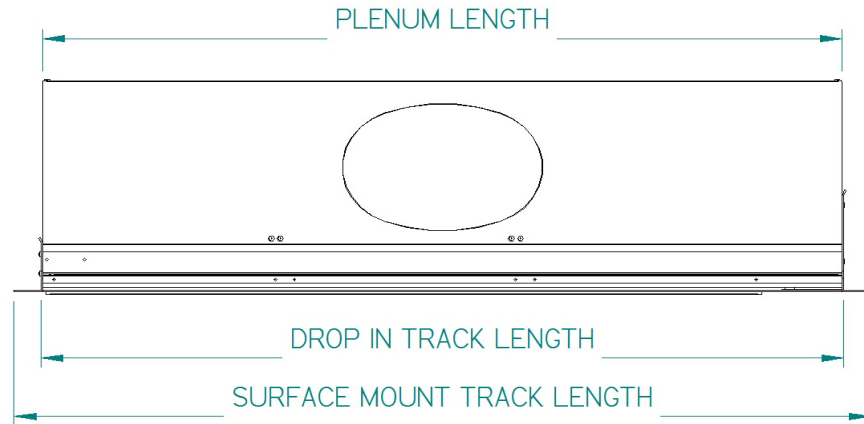
Surface mount linear diffusers can be joined together with other VAV linear diffusers, CAV linear diffuser or inactive track to provide long lengths of uninterrupted linear track. VAV linear diffusers, CAV linear diffuser or inactive track that are to be butt joined should be ordered without angle end borders (the flange on the end of the track). Sey-lock pins will be provided with every diffuser to join the tracks together. Special VAV, CAV or inactive track lengths are available on request.

NB: Do not butt-join units on their sensing ends. The VLN4/5 needs the sensing end of the unit to be open for induction and sensing to work correctly. If butt-joining on these ends is required, Rickard recommends the tracks to be extended by 100mm on the sensing end. Please ensure the sales representative is made aware of this requirement.

2. MAINTENANCE OF THERMAL SURFACE MOUNT LINEAR DIFFUSERS

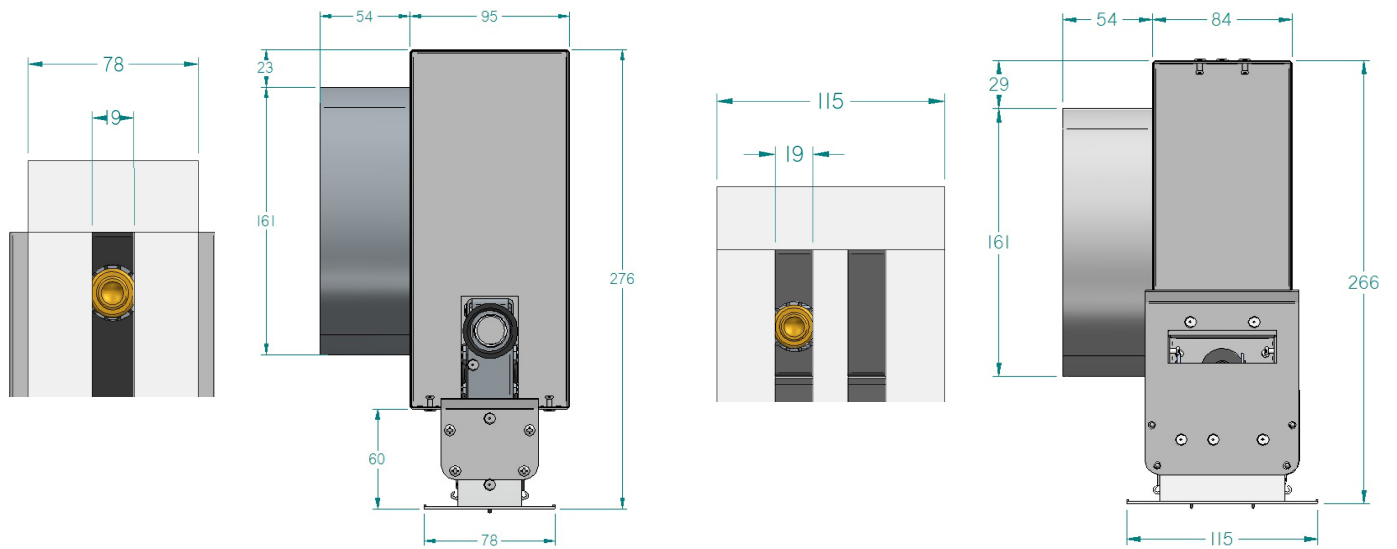
No maintenance is required.

VLN4 GENERAL DIMENSIONS



VLN4 SINGLE SLOT

VLN4 DOUBLE SLOT



VLN4 GENERAL DIMENSIONS (mm)						
Nominal Length	Plenum Length	Track Length Single/Double Slot Butt-Join Mounting	Track Length Single/Double Slot Drop-In Mounting (T-Bar Ceiling)	Track Length Single/Double Slot Surface Mounting (Plastered Ceiling)	Ceiling Cut-Out Length Single/Double Slot Surface Mounting (Plastered Ceiling)	Spigot Size
600	590	590	595	656	600	150 ø
900	890	890	895	956	900	200 ø
1200	1190	1190	1195	1256	1200	250 ø
1500	1490	1490	1495	1556	1500	300 ø