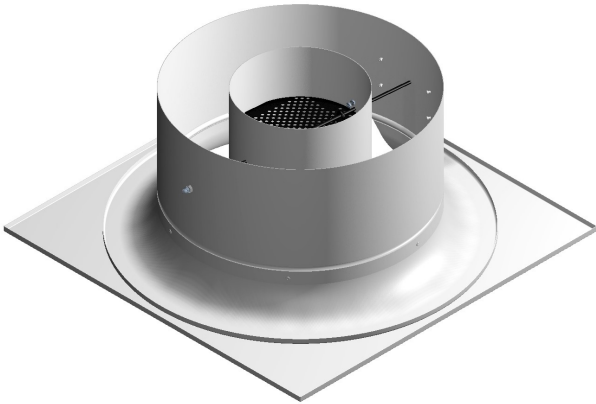


MOUNTING OPTIONS

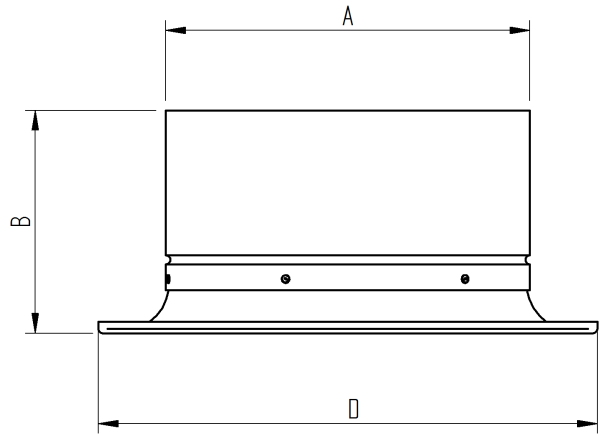
EXPOSED TEE CEILING GRID

1. Drop-in Flush Mounting
2. Drop-in Shadow Line

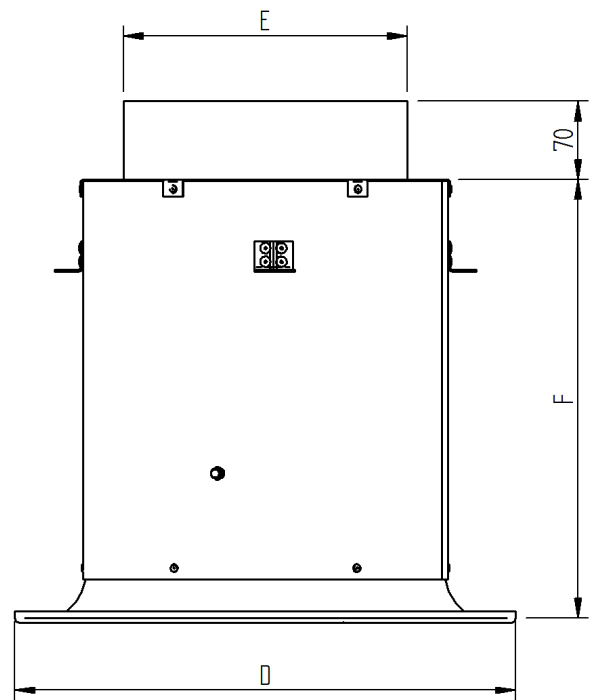
Flush Mounting and Shadow Line styles are available for 315 and 400mm Radials only. These can be supplied with the following mounting plate sizes, 595x595mm & 23¾x23¾" to suit 600x600mm & 24x24" ceiling grids respectively. Special sizes are available on request.



RVD (Shown) or RCD-NP (DROP-IN FLUSH MOUNTING)



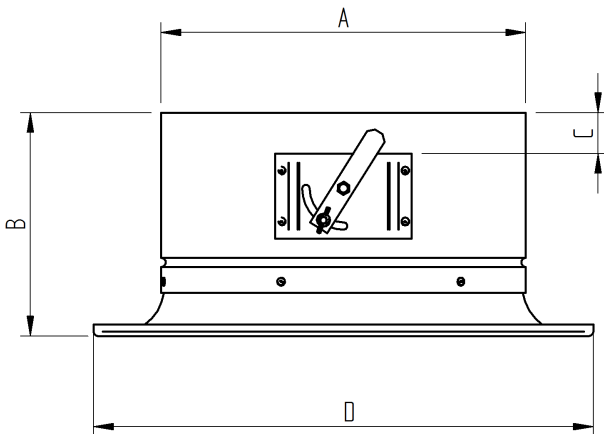
RCD-NP (NO PLENUM)



RVD or RCD-CP (CIRCULAR PLENUM)

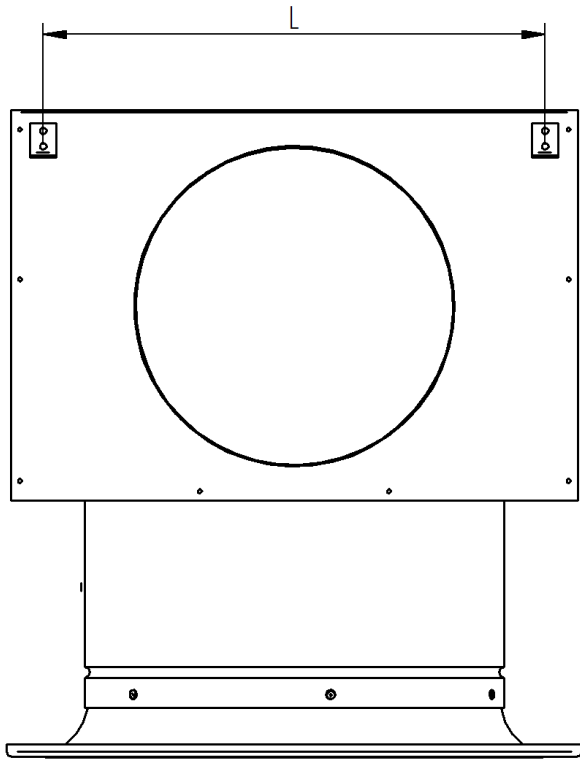
MOUNTING IN FREE SPACE

1. 4 Point Fixing (4 Brackets fitted to the round or square plenum for threaded rod connection)
2. Hard Duct Connection (no accessories required)



RVD-NP (NO PLENUM)

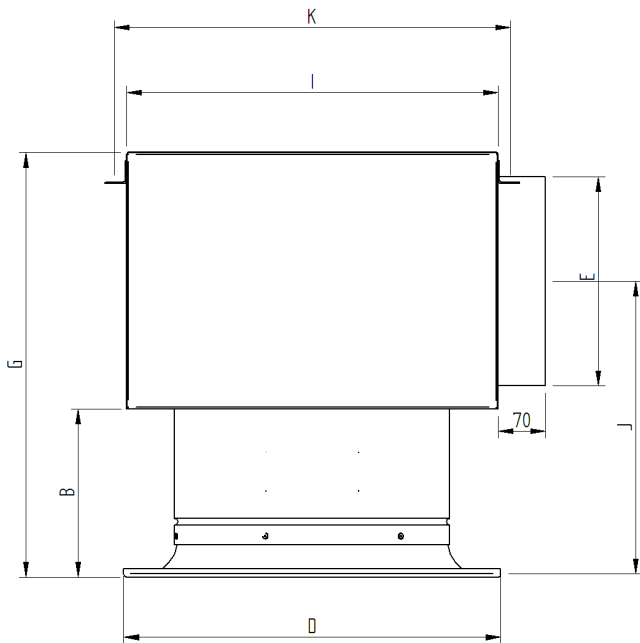
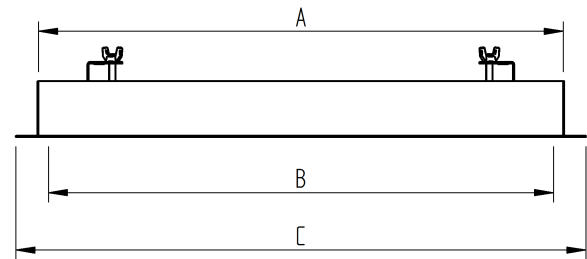
UNIT SIZE	DIMENSIONS mm										
	A	B	C	D	E	F	G	I	J	K	L
RV/CD315	319	197	36	440	250	425	480	435	340	464	385
RV/CD400	404	250	53	560	300	530	600	500	419	530	450
RVD630	634	394	102	879	400	750	850	750	615.5	780	700



RVD or RCD-SP (SQUARE PLENUM) FRONT VIEW



T-RING FOR MOUNTING RVD'S IN PLASTERED CEILINGS



RVD or RCD-SP (SQUARE PLENUM) SIDE VIEW

T-RING GENERAL DIMENSIONS					
RADIAL SIZE	A	B	C	BELL MOUTH DIAMETRE	CUT-OUT SIZE
RV/CD315	445	425	485	440	460
RV/CD400	565	545	605	560	580
RVD630	885	865	925	880	900

PLASTERED CEILING

1. T-Ring (Circular Frame to allow Drop-in Flush Mounting)
 Fixing of Radial diffusers in a plastered ceiling often presents a problem because of restricted access to the ceiling void. A T-Ring is available to allow Drop-in Flush Mounting of a standard Radial Diffuser. The T-Ring is mounted flush with the ceiling after a round hole is cut into the plaster board. Four threaded brackets draw the T-Ring flush against the ceiling to ensure a neat finish. **NOTE:** Do not overload the plastered ceiling. Attach safety wires or threaded rod to the RVD to reduce the load on the ceiling and to safeguard the occupants.