

RICKARD VAV WBD

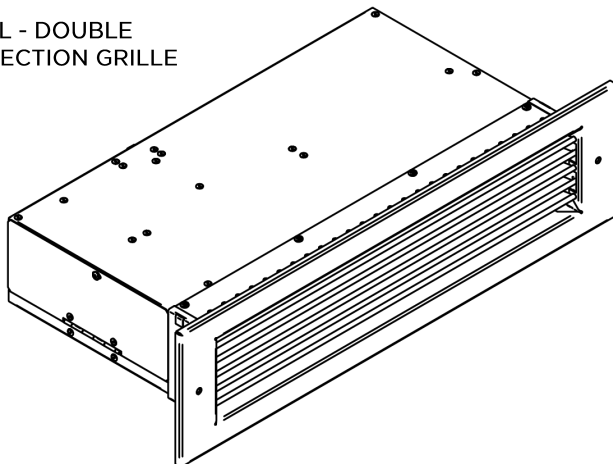
The Rickard Wall Bulkhead Diffuser offers all the advantages that you would come to expect from a Rickard VAV diffuser, in a package to suit applications where there are restricted ceiling voids or where fully-covered ceilings are not available. As the name suggests WBDs discharge supply air into the conditioned space from either a sidewall or bulkhead.

Rickard WBDs control Room Temperature by adjusting the volume of air at the diffuser outlet. By changing the diffusers exit geometry, Coanda, Air Velocity and Throw is maintained at minimum and maximum volume. This technology prevents cold air from dumping at minimum, ensures excellent ventilation, air mixing, Air Change Effectiveness (ACE) and therefore thermal comfort (ADPI). Rickard VAV diffusers reduce pressure loss in the system due to their aerodynamic design and the absence of restrictions in the duct work.

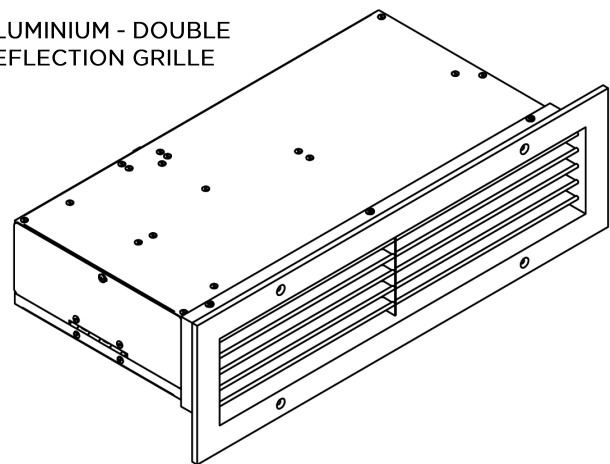
WBD TYPES & SIZES

Height (mm)	Length (mm)											Cable Entry Options		
	300	350	400	450	500	550	600	650	700	750	800	Top	Back	Side
100	<input type="checkbox"/>	<input type="checkbox"/>	<input type="checkbox"/>	<input type="checkbox"/>	<input type="checkbox"/>	<input type="checkbox"/>	<input type="checkbox"/>	<input type="checkbox"/>	<input type="checkbox"/>	N/A	N/A	<input type="checkbox"/>	<input type="checkbox"/>	<input type="checkbox"/>
150	N/A	N/A	N/A	N/A	<input type="checkbox"/>	<input type="checkbox"/>	<input type="checkbox"/>	<input type="checkbox"/>	<input type="checkbox"/>	<input type="checkbox"/>	<input type="checkbox"/>	<input type="checkbox"/>	<input type="checkbox"/>	<input type="checkbox"/>

STEEL - DOUBLE DEFLECTION GRILLE



ALUMINIUM - DOUBLE DEFLECTION GRILLE



SENSING CONFIGURATION

Control Type	MLM		MLC	
Sensing Configuration	<input type="checkbox"/>	Modular Slave	<input type="checkbox"/>	Dedicated Slave
	<input type="checkbox"/>	Modular Wireless Ready Master	<input type="checkbox"/>	Dedicated Wireless Ready Master
	<input type="checkbox"/>	Modular Wired Wall Thermostat Master	<input type="checkbox"/>	Dedicated Wired Wall Thermostat Master

WBD SLAVE TO MASTER UPGRADES

MLM Slave to Master Upgrades	
<input type="checkbox"/>	Onboard Controller with Wired Remote Sensor
<input type="checkbox"/>	Wired Wall Thermostat
<input type="checkbox"/>	Wired CO2 Wall Thermostat
<input type="checkbox"/>	Wireless Wall Thermostat
<input type="checkbox"/>	Wireless Pod Sensor

WBD MLM & MLC CONTROL EXTRAS

Extra		Notes
<input type="checkbox"/>	Remote Setpoint Adjuster	Requires IR onboard controller
<input type="checkbox"/>	Power Supply Unit (110V-600mA 60Hz to 240V-300mA 50Hz) c/w 3m Cable & Plug Top (Specify Type)	1 required/15 Diffuser Max
<input type="checkbox"/>	Power Supply Unit (PSU) 24V	1 required/15 Diffuser Max
<input type="checkbox"/>	m Power Supply Unit Cable	Special Length (m)
<input type="checkbox"/>	Master Communications Unit (Standalone)	1/4 PSU or 60 Diffuser Max
<input type="checkbox"/>	Master Communications Unit (BACnet/IP)	1/4 PSU or 60 Diffuser Max
<input type="checkbox"/>	Master Communications Unit (BACnet MS/TP)	1/4 PSU or 60 Diffuser Max
<input type="checkbox"/>	Master Communications Unit (LonWorks)	1/4 PSU or 60 Diffuser Max
<input type="checkbox"/>	Din-rail Mounting Plate	For PSU/MCU
<input type="checkbox"/>	Wireless Access Point	1/PSU
<input type="checkbox"/>	USB Connection Module	For PSU/MCU to PC connection
<input type="checkbox"/>	20m MCU to PSU RJ9 Cable	For PSU to MCU comms
<input type="checkbox"/>	40m MCU to PSU RJ9 Cable	For PSU to MCU comms
<input type="checkbox"/>	60m MCU to PSU RJ9 Cable	For PSU to MCU comms
<input type="checkbox"/>	80m MCU to PSU RJ9 Cable	For PSU to MCU comms

WBD ADD-ONS

MLM										
Top-up heater										
WBD Size (mm)		kW								Airflow Safety Switch
	Pa	20	30	40	50					
<input type="checkbox"/>	300/100	1	<input type="checkbox"/>	0,5	<input type="checkbox"/>	0,8	<input type="checkbox"/>	0,8	<input type="checkbox"/>	<input type="checkbox"/>
	350/100	1	<input type="checkbox"/>	0,8	<input type="checkbox"/>	0,8	<input type="checkbox"/>	0,8	<input type="checkbox"/>	<input type="checkbox"/>
	400/100	1	<input type="checkbox"/>	0,8	<input type="checkbox"/>	1	<input type="checkbox"/>	1	<input type="checkbox"/>	<input type="checkbox"/>
	450/100	1	<input type="checkbox"/>	1	<input type="checkbox"/>	1	<input type="checkbox"/>	1	<input type="checkbox"/>	<input type="checkbox"/>
	500/100	1	<input type="checkbox"/>	1	<input type="checkbox"/>	1	<input type="checkbox"/>	1,3	<input type="checkbox"/>	<input type="checkbox"/>
	550/100	1	<input type="checkbox"/>	1	<input type="checkbox"/>	1,3	<input type="checkbox"/>	1,3	<input type="checkbox"/>	<input type="checkbox"/>
	600/100	1	<input type="checkbox"/>	1	<input type="checkbox"/>	1,3	<input type="checkbox"/>	1,3	<input type="checkbox"/>	<input type="checkbox"/>
	650/100	1	<input type="checkbox"/>	1,3	<input type="checkbox"/>	1,3	<input type="checkbox"/>	1,5	<input type="checkbox"/>	<input type="checkbox"/>
	500/150	1	<input type="checkbox"/>	1,3	<input type="checkbox"/>	2	<input type="checkbox"/>	2	<input type="checkbox"/>	<input type="checkbox"/>
	550/150	1	<input type="checkbox"/>	1,5	<input type="checkbox"/>	2	<input type="checkbox"/>	2	<input type="checkbox"/>	<input type="checkbox"/>
	600/150	2	<input type="checkbox"/>	2	<input type="checkbox"/>	2	<input type="checkbox"/>	2	<input type="checkbox"/>	<input type="checkbox"/>
	650/150	2	<input type="checkbox"/>	2	<input type="checkbox"/>	2	<input type="checkbox"/>	2,5	<input type="checkbox"/>	<input type="checkbox"/>
	700/150	2	<input type="checkbox"/>	2	<input type="checkbox"/>	2,5	<input type="checkbox"/>	2,5	<input type="checkbox"/>	<input type="checkbox"/>
800/150	2	<input type="checkbox"/>	2,5	<input type="checkbox"/>	2,5	<input type="checkbox"/>	2,5	<input type="checkbox"/>	<input type="checkbox"/>	
<input type="checkbox"/>	Airflow Sensing									
<input type="checkbox"/>	Change-over/supply air temperature sensor (1/Master for hot/cold air supply)									
<input type="checkbox"/>	Change-over/supply air temperature sensor (Add onboard controller if for Wireless Tstat or Pod) (1/Master for hot/cold air supply)									
	m	Slave Cable Extension (2, 6 or 8m)								
	m	Slave Cable (Special Length m)								

MLC										
Top-up heater										
WBD Size (mm)		kW								Airflow Safety Switch
Pa		20		30		40		50		
<input type="checkbox"/>	300/100	1	<input type="checkbox"/>	0,5	<input type="checkbox"/>	0,8	<input type="checkbox"/>	0,8	<input type="checkbox"/>	<input type="checkbox"/>
	350/100	1	<input type="checkbox"/>	0,8	<input type="checkbox"/>	0,8	<input type="checkbox"/>	0,8	<input type="checkbox"/>	<input type="checkbox"/>
	400/100	1	<input type="checkbox"/>	0,8	<input type="checkbox"/>	1	<input type="checkbox"/>	1	<input type="checkbox"/>	<input type="checkbox"/>
	450/100	1	<input type="checkbox"/>	1	<input type="checkbox"/>	1	<input type="checkbox"/>	1	<input type="checkbox"/>	<input type="checkbox"/>
	500/100	1	<input type="checkbox"/>	1	<input type="checkbox"/>	1	<input type="checkbox"/>	1,3	<input type="checkbox"/>	<input type="checkbox"/>
	550/100	1	<input type="checkbox"/>	1	<input type="checkbox"/>	1,3	<input type="checkbox"/>	1,3	<input type="checkbox"/>	<input type="checkbox"/>
	600/100	1	<input type="checkbox"/>	1	<input type="checkbox"/>	1,3	<input type="checkbox"/>	1,3	<input type="checkbox"/>	<input type="checkbox"/>
	650/100	1	<input type="checkbox"/>	1,3	<input type="checkbox"/>	1,3	<input type="checkbox"/>	1,5	<input type="checkbox"/>	<input type="checkbox"/>
	500/150	1	<input type="checkbox"/>	1,3	<input type="checkbox"/>	2	<input type="checkbox"/>	2	<input type="checkbox"/>	<input type="checkbox"/>
	550/150	1	<input type="checkbox"/>	1,5	<input type="checkbox"/>	2	<input type="checkbox"/>	2	<input type="checkbox"/>	<input type="checkbox"/>
	600/150	2	<input type="checkbox"/>	2	<input type="checkbox"/>	2	<input type="checkbox"/>	2	<input type="checkbox"/>	<input type="checkbox"/>
	650/150	2	<input type="checkbox"/>	2	<input type="checkbox"/>	2	<input type="checkbox"/>	2,5	<input type="checkbox"/>	<input type="checkbox"/>
	700/150	2	<input type="checkbox"/>	2	<input type="checkbox"/>	2,5	<input type="checkbox"/>	2,5	<input type="checkbox"/>	<input type="checkbox"/>
	800/150	2	<input type="checkbox"/>	2,5	<input type="checkbox"/>	2,5	<input type="checkbox"/>	2,5	<input type="checkbox"/>	<input type="checkbox"/>
<input type="checkbox"/>	Airflow Sensing									
<input type="checkbox"/>	-									
<input type="checkbox"/>	-									
	m	Slave Cable Extension (2, 6 or 8m)								
	m	Slave Cable (Special Length m)								

WBD GRILLES OPTIONS

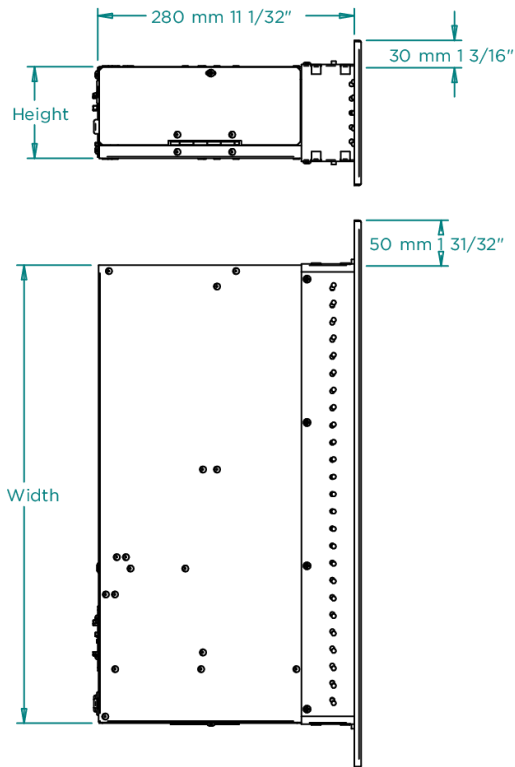
Grille Type	Face Material	Screw Fixing	Spring Clip Fixing	Anodised	Epoxy Powder Coated	Special Width (mm)	
						Height	Width
Double Deflection Grille	Aluminium	<input type="checkbox"/>	N/A	<input type="checkbox"/>	<input type="checkbox"/>	N/A	
	Steel	<input type="checkbox"/>	<input type="checkbox"/>	N/A	<input type="checkbox"/>		
Single Deflection Grille (Horizontal Only)	Aluminium	<input type="checkbox"/>	N/A	<input type="checkbox"/>	<input type="checkbox"/>	N/A	
	Steel	<input type="checkbox"/>	<input type="checkbox"/>	N/A	<input type="checkbox"/>		

GRILLE COLOUR OPTIONS

Epoxy Colours	
<input type="checkbox"/>	Standard White
<input type="checkbox"/>	Appliance White
<input type="checkbox"/>	Matt Shell White
<input type="checkbox"/>	Royal White Gloss
<input type="checkbox"/>	Matt Black
<input type="checkbox"/>	Ferro Grain Black
<input type="checkbox"/>	Bright Aluminium
<input type="checkbox"/>	Special (Provide Code/Sample)

Wet Spray Colours	
<input type="checkbox"/>	Special (Provide Code/Sample)
Anodised	
<input type="checkbox"/>	Natural Anodised

STEEL DOUBLE DEFLECTION GRILLE



ALUMINIUM DOUBLE DEFLECTION GRILLE

