

OPTIONS

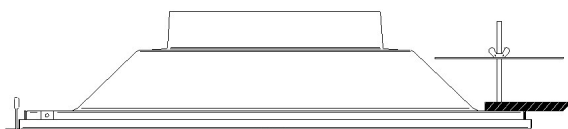
The Rickard Swirl Diffuser Range supports a wide range of diffusion unit styles.

EXPOSED TEE CEILING GRID

1. SQUARE SWIRL DIFFUSER
 - i. Drop-in Flush Mounting
 - ii. Drop-in Shadow Line

The standard swirl drops into a square opening between ceiling tees. Flush Mounting and Shadow Line styles are available. These can be supplied with the following mounting plate sizes, 595x595mm & 23³/₄ x23³/₄" to suit 600x600mm & 24x24" ceiling grids respectively. Special sizes are available on request.

DROP-IN EXPOSED TEE



PLASTERED CEILING

SHADOW LINE EXPOSED TEE



SHADOW LINE EXPOSED TEE

BAFFLED CEILING

1. SQUARE SWIRL
 - i. 4 Point Fixing (4 Brackets for threaded rod connection)
2. ROUND DIFFUSER
 - i. 3 Point Fixing (3 Brackets for threaded rod connection)
 - ii. Hard Duct Connection (no accessories required)

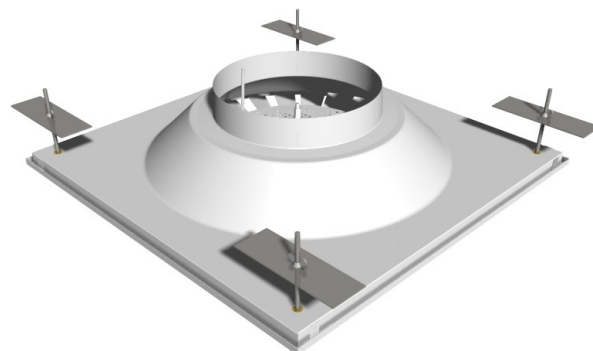
Baffled ceilings require an unusual treatment which is not illustrated. Normally this ceiling requires a square tile with suspension points fitted at each corner thereby enabling support from the top edges of the baffles. Large diffuser mounting plates are particularly beneficial in the baffled ceiling as there is otherwise little opportunity for the Coanda effect to help distribute conditioned air across the ceiling. This may result in inadequate throws and poor room air movement.

PLASTERED CEILING

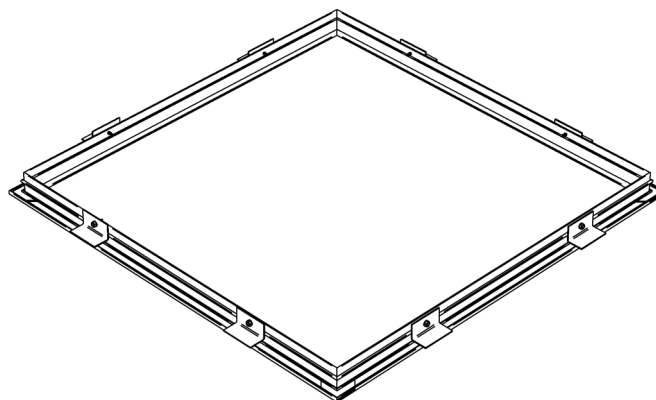
1. SQUARE SWIRL
 - i. 4 Point Fixing (4 Brackets with Backing Plates)
 - ii. T-Frame (To allow Drop-in Flush Mounting)

In the case of mounting square diffusers into plastered ceilings, two methods of fixing may be used. Concealed fixing is achieved by four fixing studs secured in the corners of the mounting plate. These pass through the ceiling and, with the use of backing plates, are used to secure the diffuser to the ceiling. A further option for fixing into a plastered ceiling is with the use of a T-frame which is an optional extra. This is fixed to the ceiling and the diffuser then drops into it.

4 POINT FIXING (4 BRACKETS WITH BACKING PLATES)



T-FRAME (DROP-IN MOUNTING FOR PLASTERED CEILINGS)



2. ROUND DIFFUSER
 - i. T-Ring (Frame to allow Drop-in Flush Mounting)

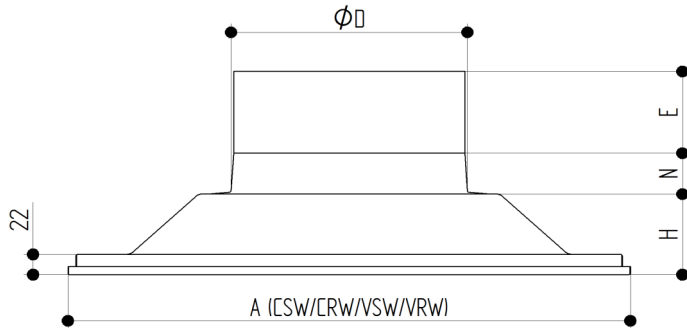
Apart from the usual four-corner style, the Rickard Swirl Diffuser is also available in a circular format. This model is most often combined with round down-lighters to preserve the circular pattern, and in particular with plastered ceilings. It also offers the absolute minimum interruption to the ceiling for those who prefer to have its unbroken regularity maintained.

Fixing of round diffusers in a plastered ceiling often presents a problem because of restricted access to the ceiling void. This problem is overcome with a T-Ring to allow Drop-in Flush Mounting of a standard Round Swirl Diffuser. The T-Ring is mounted flush with the ceiling after a round hole with a diameter of 590-600mm is cut into the plaster board. Four threaded brackets draw the T-Ring flush against the ceiling to ensure a neat finish.

T-RING (DROP-IN MOUNTING FOR PLASTERED CEILINGS)

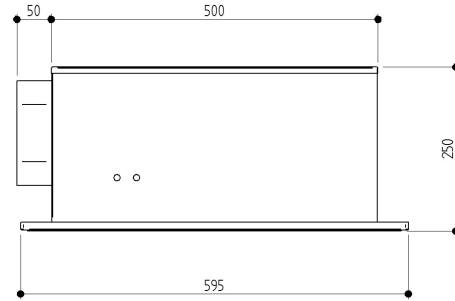


SWIRL DIFFUSER GENERAL DIMENSIONS

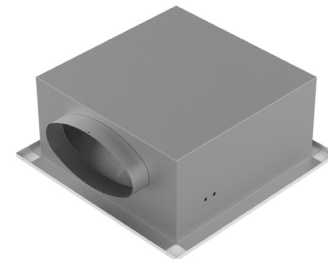


SWIRL DIFFUSER WITH PLENUM GENERAL DIMENSIONS

(Use when ceiling space is limited)



Nominal Size	Dimensions (mm)						E		
	Ø D	A	H	N	Ø R	Heater Neck	Airflow Sensor	Airflow Switch	
150	153	595 x 595	95	28	580	90	115	125	
200	200	595 x 595	92	33					
250	250	595 x 595	89	34					
300	293	595 x 595	86	35					



Note: Plenums create a significant pressure drop
(Performance data will not apply)

Swirl Diffuser Style			Swirl Diffuser Mounting Types						
			Exposed Tee		Baffled Ceiling		Plastered Ceiling Surface Mounting		
Model	Swirl Diffuser Shape	Swirl Diffuser Size	Drop-in Flush Mounting	Drop-in Shadow Line	4 Point Fixing Brackets	3 Point Fixing Brackets	4 Point Fixing & Backing Plate	T-Frame	T-Ring
CSW3 or VSW1	Square	595x595	•	•	•	○	•	•	○
	Square	23¾"x23¾"	•	•	•	○	•	•	○
CRW3 or VRW1	Round	580	○	○	○	•	○	○	•