

OPTIONS

The Rickard Constant Volume Linear Diffuser Range supports the following diffusion unit styles.

EXPOSED TEE CEILING GRID

1. DROP-IN MOUNTING

The Drop-in linear diffuser is designed to lay-in a standard ceiling grid. The linear track has a flange along its length to hide the ceiling boards edge from below. The Drop-in linear diffuser has flat ends to fit neatly inside the tees. Rickard recommends additional support to give the diffuser additional stability and support. Attach wire or threaded rod between the ceiling and the support holes provided in the top of the diffusers plenum. Linear diffusers of 595 and 1195mm are available to fit 600 and 1200mm ceiling grids respectively.

PLASTERED CEILING

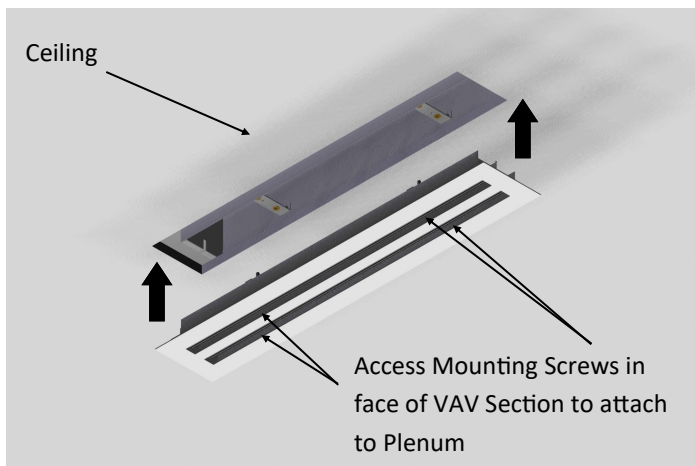
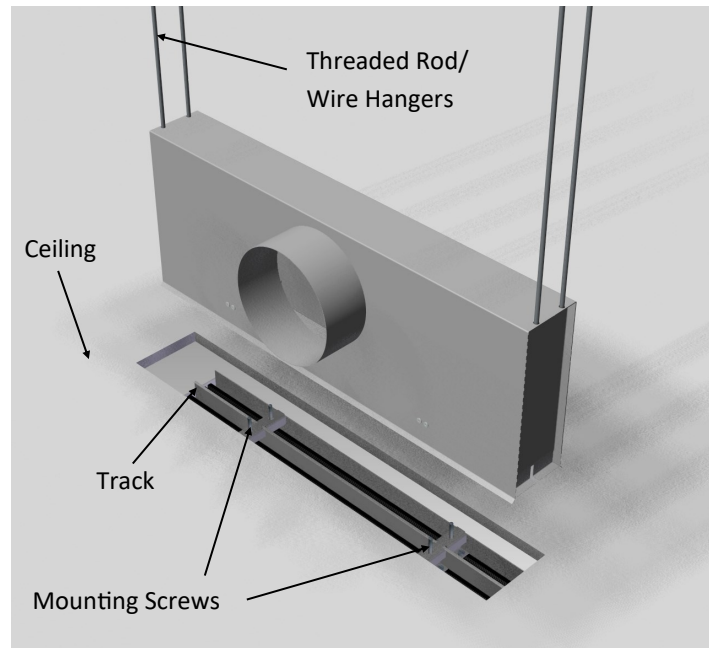
1. SURFACE MOUNTING

a. Individual Surface Mounting

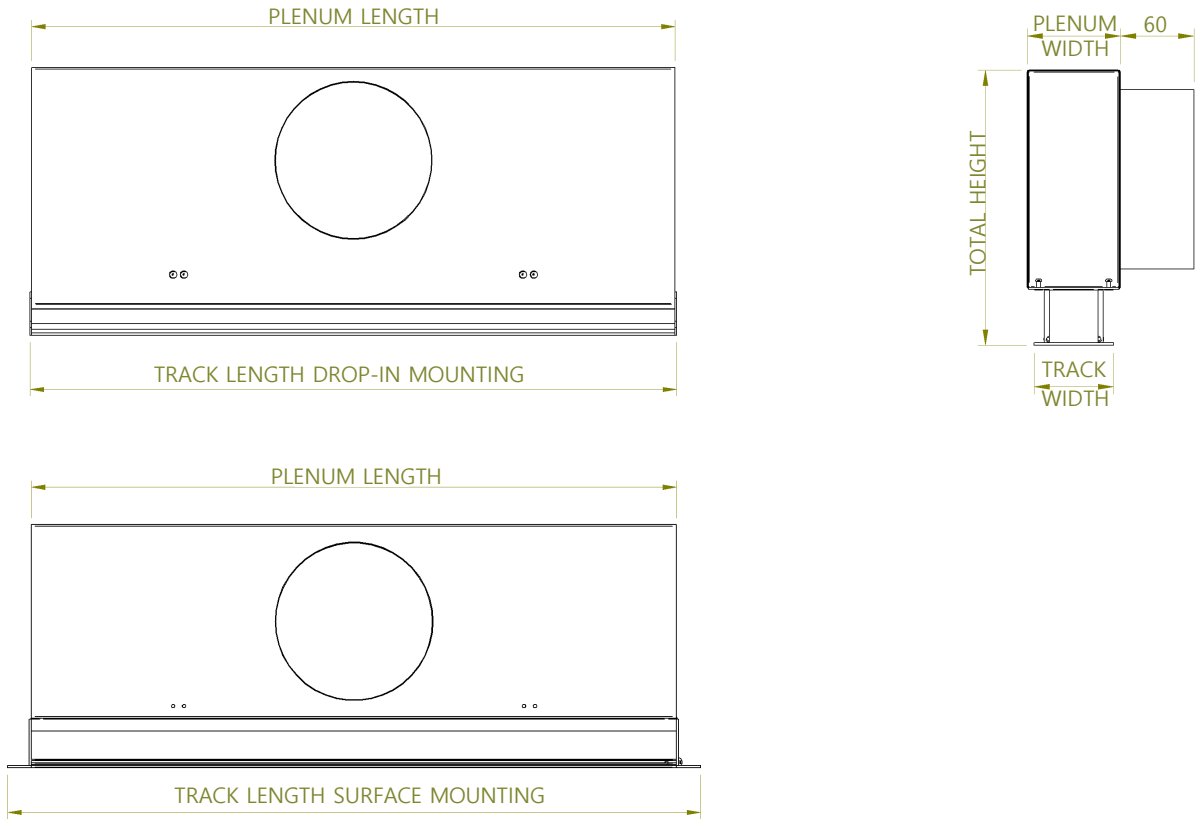
The Surface mount CLN diffuser is designed to fit a plastered ceiling from below. The linear track has a flange along its length and end to hide the rough cut edges of plastered ceiling.

b. Butt-joined Surface Mounting

Surface mount CLN diffusers can be joined together with other CLN linear diffusers, VAV linear diffuser or inactive track to provide long lengths of uninterrupted linear track. VAV linear diffusers, CAV linear diffuser or inactive track that are to be butt joined should be ordered without angle end borders (the flange on the end of the track). Sey-lock pins will be provided with every diffuser to join the tracks together. Special VAV, CAV or inactive track lengths are available on request.



CLN3 GENERAL DIMENSIONS



CLN GENERAL DIMENSIONS (mm)								
NOMINAL LENGTH	PLENUM LENGTH	TRACK LENGTH BUTT-JOIN MOUNTING	T-BAR CEILING CENTRES	TRACK LENGTH DROP-IN MOUNTING (T-BAR CEILING)	TRACK LENGTH SINGLE SLOT SURFACE MOUNTING (PLASTERED CEILING)	TRACK LENGTH MULTIPLE SLOT SURFACE MOUNTING (PLASTERED CEILING)	CEILING CUT-OUT LENGTH SURFACE MOUNTING (PLASTERED CEILING)	SPIGOT SIZE
600	590	590	600	595	636	656	600	150 ø
900	890	890	900	895	936	956	900	200 ø
1200	1190	1190	1200	1195	1236	1256	1200	250 ø
1500	1490	1490	1500	1495	1536	1556	1500	300 ø

UNIT WIDTHS/LENGTH (600, 900, 1200, 1500mm)								
SLOT NUMBER	1	2	3	4	5	6	7	8
TRACK WIDTH	65	115	152	188	225	262	299	336
PLENUM WIDTH	76	76	112	149	186	222	259	296
PLENUM HEIGHT	216	200	200	200	200	200	200	200
CEILING CUT-OUT	N/A	87	123	160	197	234	271	308
TOTAL HEIGHT	262	246	246	246	246	246	246	246