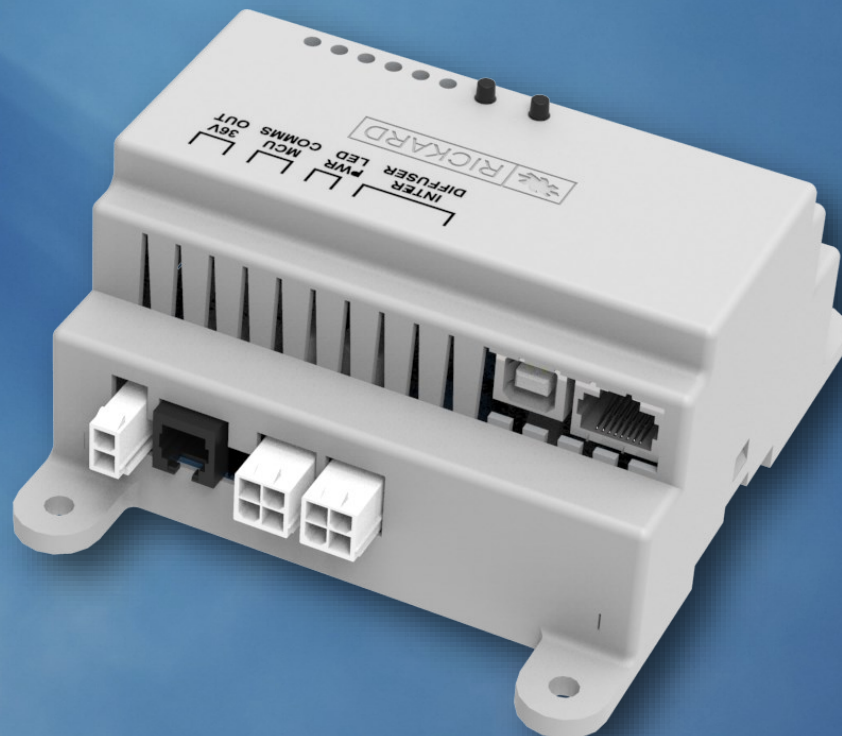


## MLM24 iPSU

- ❁ DATA INTERFACE & POWER SUPPLY
- ❁ UP TO 15 MLM24 VAV DIFFUSERS
- ❁ BMS PROTOCOL GATEWAY
- ❁ NO SYNC DELAYS
- ❁ UNIVERSAL INPUT SWITCHING POWER SUPPLY
- ❁ EFFICIENT, SAFE, LOW EMI



## FEATURES

The iPSU serves as both a data interface and power supply unit to a maximum of 15 MLM24 VAV field diffusers. It also contains a gateway to BMS protocols such as BACnet/IP and BACnet MS/TP. It serves as cost effective alternative to a PSU and MCU combination when the installation is smaller.

The iPSU network side consists of industry standard hardware and software interfaces. It also serves as a connection point to the proprietary MLM24 Application software. The iPSU also makes it possible to configure master and slave relationships between any of the 15 diffusers connected to it.

It contains a universal input switching power supply making use of the latest technology for energy efficiency, safety and low EMI. The product is optimized to meet the inductive requirements of multiple actuator motor drives.

### DATA COMMUNICATIONS:

The iPSU features a field bus front-end to feed power and data communications to a daisy chained diffuser installation.

The network back-end consists of industry standard hardware and software interfaces. It also serves as a connection point to the proprietary MLM24 Application software.

### Supported physical protocol interfaces

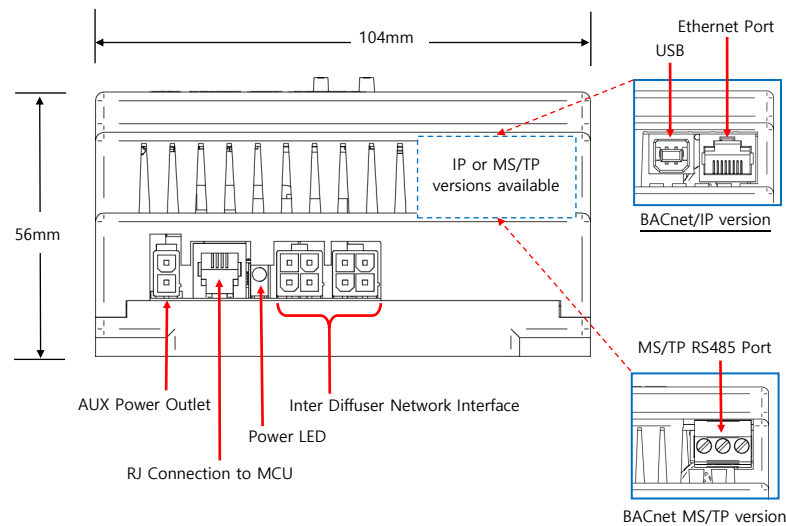
- TCP/IP & UDP/IP – for Ethernet interface to MLM Tool
- BACnet/IP – for Ethernet interface to BMS
- BACnet MS/TP – for RS485 interface to BMS

#### Hardware features

- CAN bus physical layer interface for connecting up to 15 VAV field diffusers
- IEEE 802.3 compliant 10/100 Ethernet port (RJ45) to BMS and MLM24 Application
- Optional RS485 port for BACnet MS/TP interface
- USB 2.0 (USB Type B socket) to MLM24 Application

#### Software features

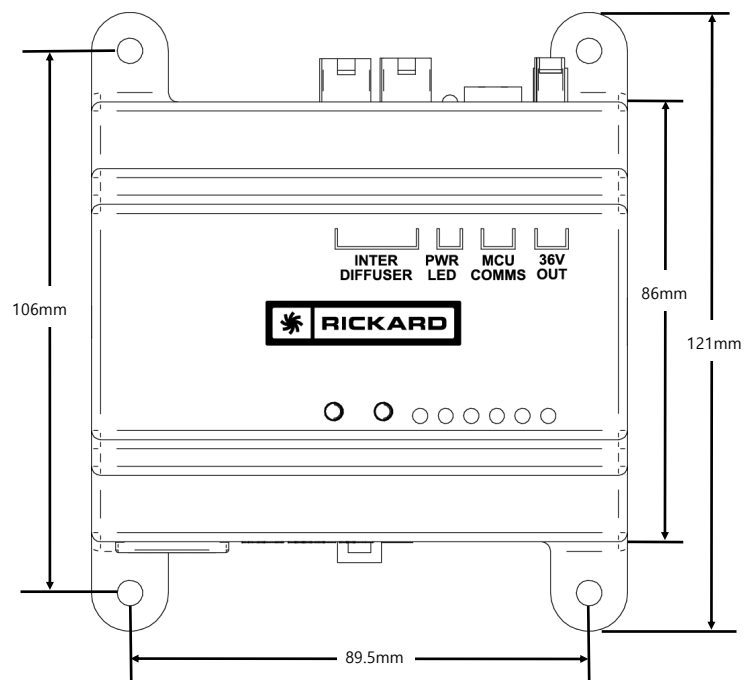
- Immediate Data access with no synchronization delays
- Efficient UDP block data transfer on Ethernet channel
- FTP/TFTP protocol for remote flash updates
- FTP for file handling
- Up to 15 master or slave (drone) diffusers accessible through the MLM24 application
- BACnet/IP server with BACnet MS/TP option
- Diffuser location fixed - no data mapping to BMS network required
- More than 150 BACnet data points per iPSU available on BMS network



### Power supply:

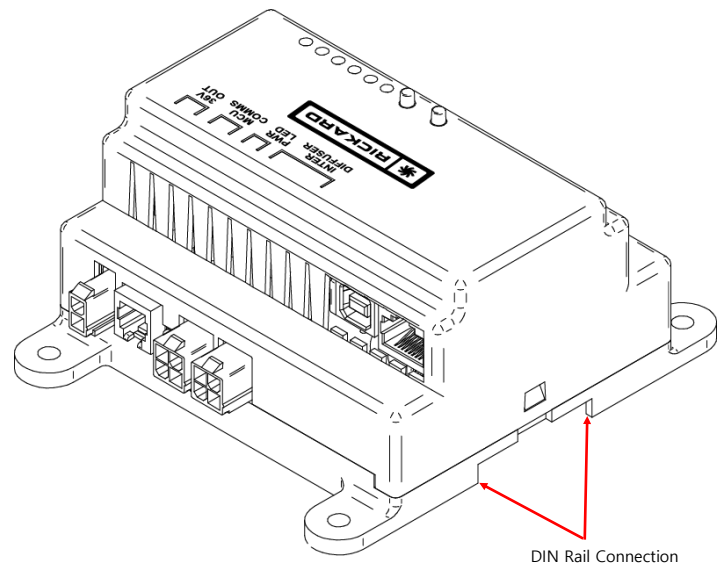
The iPSU is designed to meet the power requirements of the Rickard MLM24 diffuser network.

It contains a universal input switching power supply making use of the latest technology for energy efficiency, safety and low EMI. The product is optimized to meet the inductive load requirements of multiple actuator motor drives.



**Product Specifications:**

1. Mains voltage input range:
  - 230VAC 50Hz ±10%
  - 115VAC 60Hz ±10%
  
2. Power consumption: 60Watt max, 40Watt continuous
3. Power output: 36VDC, 1 Amp nominal.
4. Communication Interfaces:
  - Field bus CAN master and slave physical layer - 15 nodes
  - IEEE 802.3 compliant 10/100 Ethernet
  - USB 2.0 compliant Standard USB Device (USB Type B socket)
  - BACnet MS/TP EIA-485 RS-485 Transceiver with shield termination
  
5. DIN rail mounting
  - Mount to top hat DIN rail EN 50022 - 35 x 7.5 or 15 (150mm Sections available on request)
  
6. Environmental:
  - Operating Temperature Range: 0 to +50 °C
  - Storage Temperature Range: 0 to +70 °C
  - Safety testing to IEC60950-1:2005 + A1:2012 pending



**ORDERING CODES**

- BACnet/IP product: CONT/0350/00975
- BACnet MS/TP product: CONT/0350/00980

